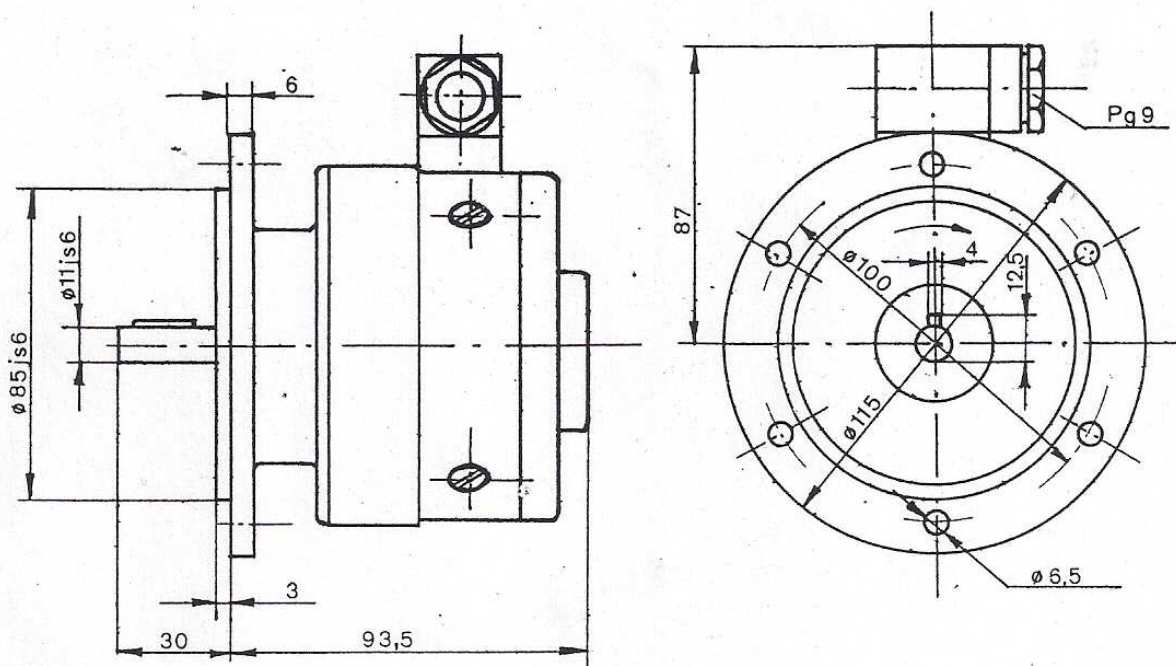


## D.C. Tachogenerator type PZTK 90-12H



| Po  | Parametr                    | Symb.         | Unit                             | Value          |      |      | Tol.       | Notes |
|-----|-----------------------------|---------------|----------------------------------|----------------|------|------|------------|-------|
| 1.  | Volt sensitivity            | $K_E$         | $V/1000\text{min}^{-1}$          | 20             | 40   | 60   | $\pm 10\%$ |       |
| 2.  | Armature wdg. D.C.resist.   | $R_T$         | $\Omega$                         | 32             | 125  | 270  | $\pm 10\%$ |       |
| 3.  | Armature wdg.induct.        | $L_T$         | MH                               | 30             | 120  | 260  | $\pm 30\%$ |       |
| 4.  | Load resistance             | $R_O$         | $k\Omega$                        | 2,5            | 10   | 15   |            |       |
| 5.  | Max. operating speed        | $n_{\max}$    | obr/min                          | 7500           | 7500 | 5000 | max.       |       |
| 6.  | Reversing error             | $\Delta U_a$  | %                                | 0,5            |      |      | max.       |       |
| 7.  | Linearity error             | $\Delta U_L$  | %                                | 0,15           |      |      | max.       |       |
| 8.  | Ripple voltage avg. to peak | $\Delta W$    | %                                | 1              |      |      | max.       |       |
| 9.  | Ripple cycl. per. revol.    | $\varphi_z$   | -                                | 33             |      |      |            |       |
| 10. | Rotor moment of inertia     | $I_t$         | $\text{kgm}^2 \cdot 10^{-4}$     | 1,5            |      |      |            |       |
| 11. | Friction torque             | $M_F$         | Ncm                              | 1,8            |      |      |            |       |
| 12. | Max. angular accel.         | $\varepsilon$ | $\text{rad} \cdot \text{s}^{-2}$ | $8 \cdot 10^3$ |      |      | max.       |       |
| 13. | Temperature coeff.          | $k\Delta t$   | $\% / ^\circ\text{C}$            | -0,02          |      |      | max.       |       |
| 14. | Weight                      | G             | kg                               | 1,85           |      |      |            |       |

Excitation-perm.magn.

Protection – IP44

Insulating class – B

Brush dimens – 6,3 x 5 x 16 (4 pcs)

Mart 2001

Subject to change without notice