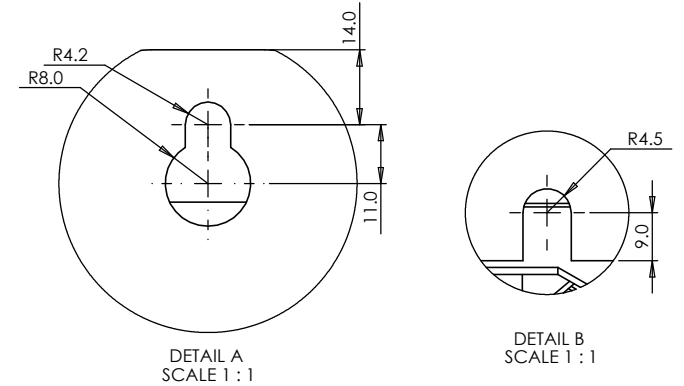
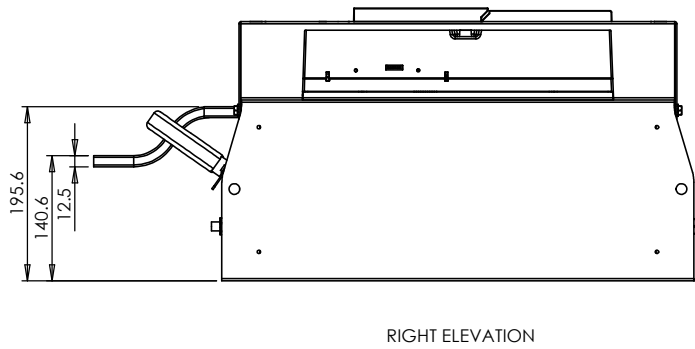
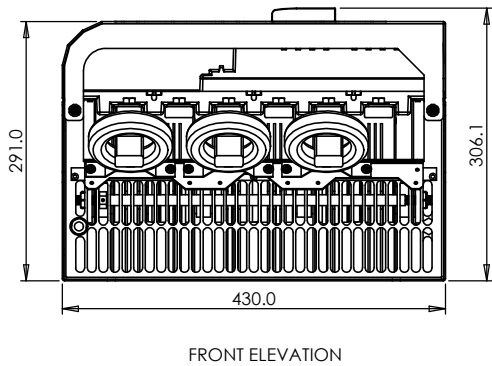
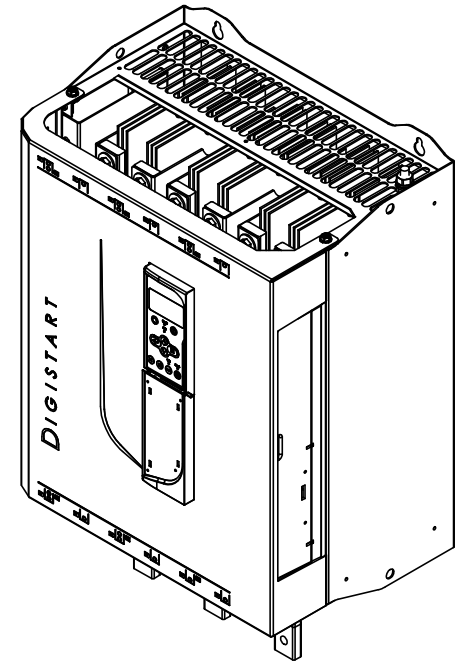
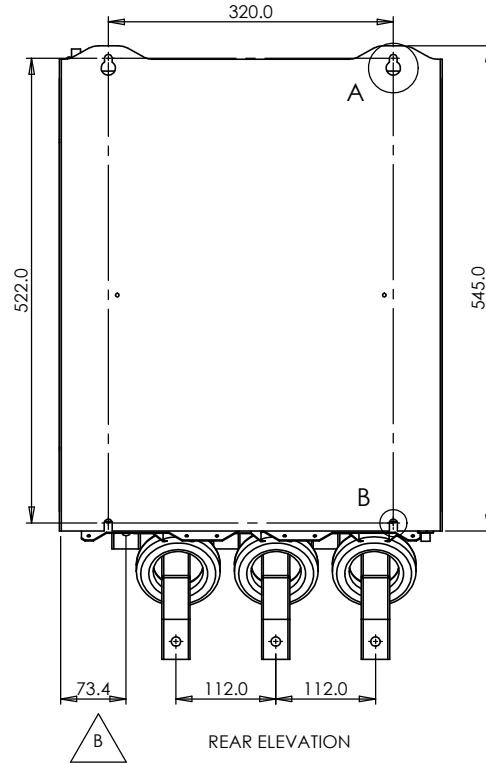
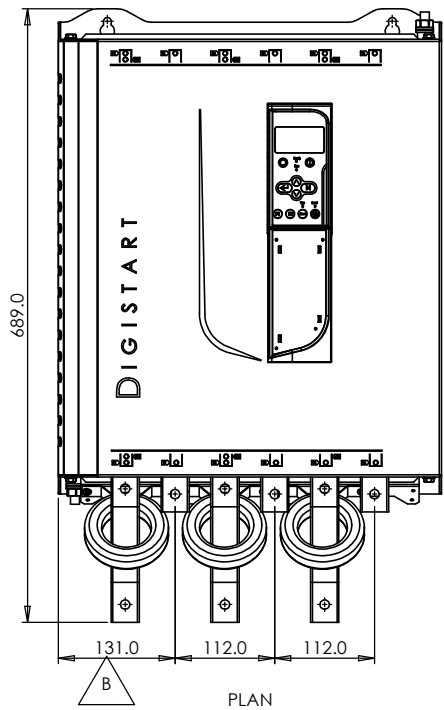


DO NOT SCALE DRAWING, IF IN DOUBT, PLEASE ASK.

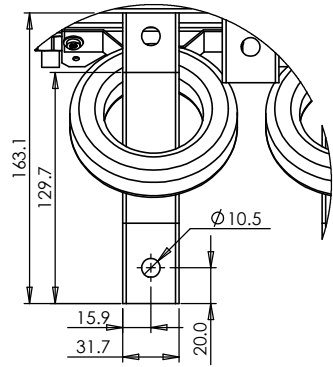


CTLS G4 0360C - 0930C
Customer Drawing

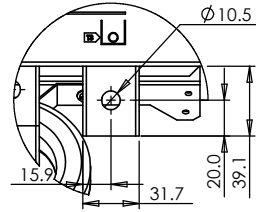
DWN: J.Clarke 01/12/2011

B	21/12/2011	Add Dimensions	Scale: 1:6	Sheet: A3	Sheet 1 of 3	Drawing Number:	Rev:
Rev	Date	Revision Note.	Drawing File Name: 722-13732-00			722-13732-00	B

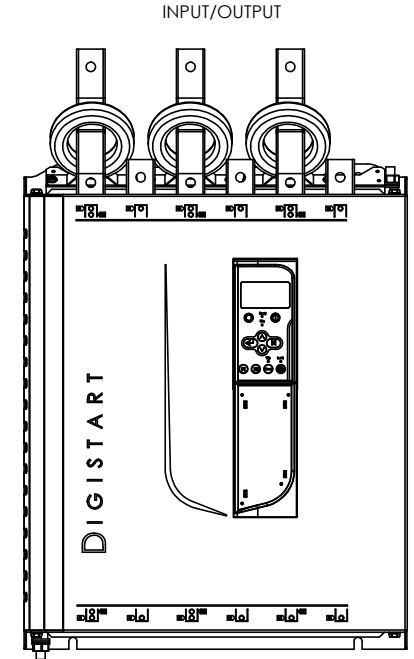
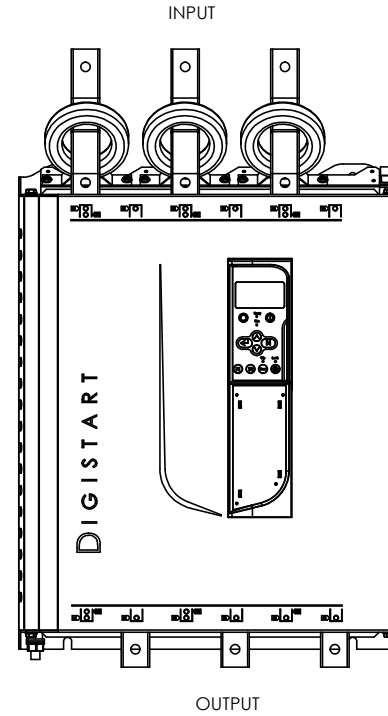
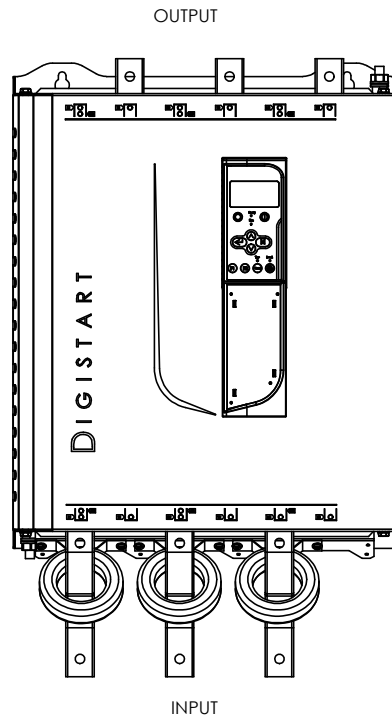
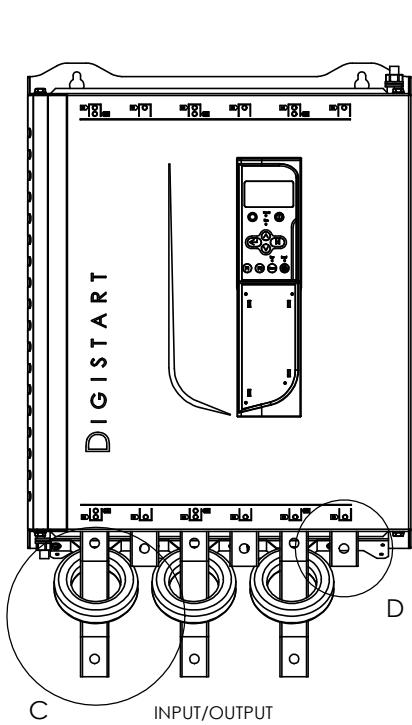
DO NOT SCALE DRAWING, IF IN DOUBT, PLEASE ASK.



DETAIL C
SCALE 1 : 3

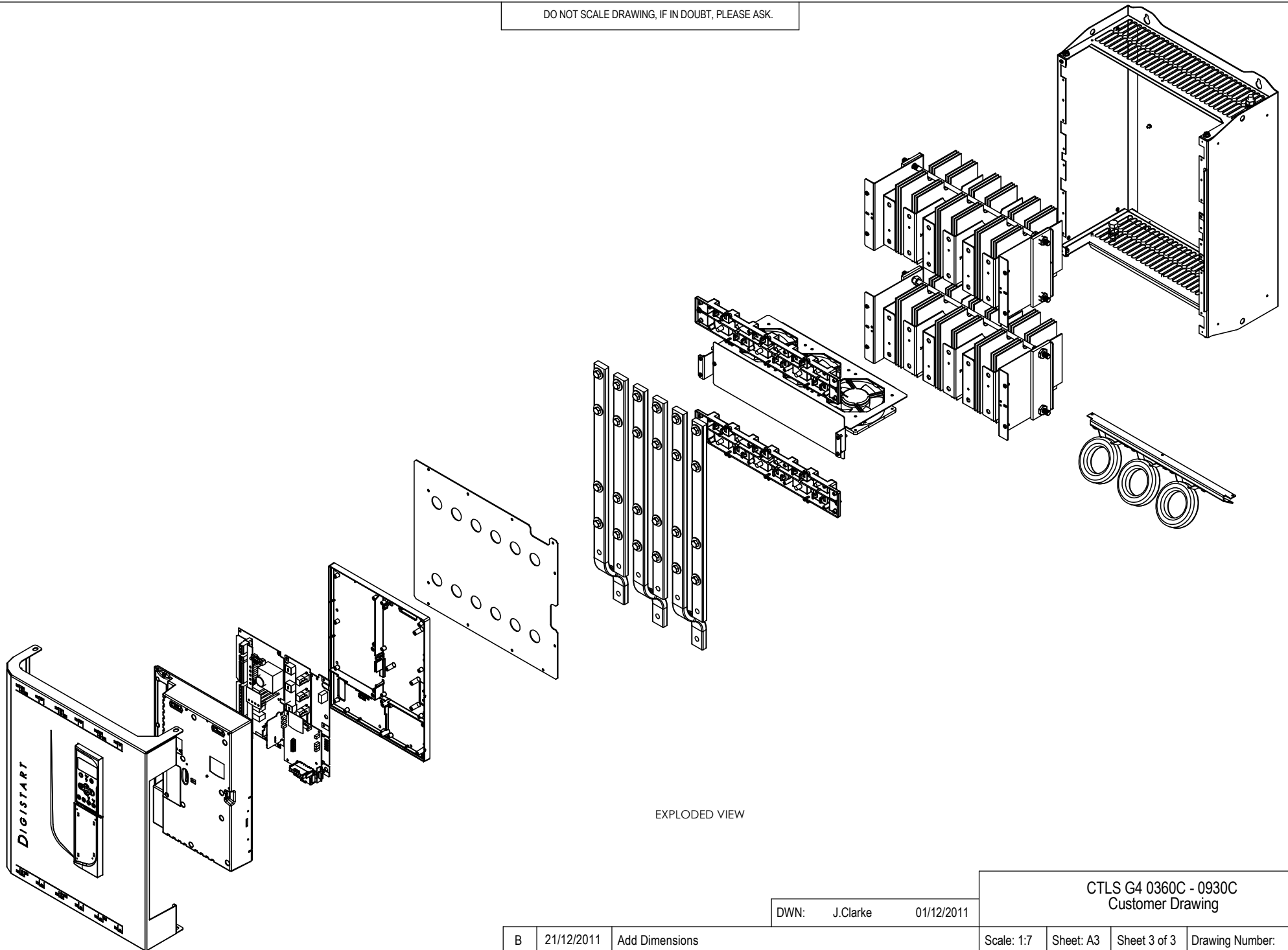


DETAIL D
SCALE 1 : 3



		DWN: J.Clarke 01/12/2011		CTLS G4 0360C - 0930C Customer Drawing				
B	21/12/2011	Add Dimensions		Scale: 1:6	Sheet: A3	Sheet 2 of 3	Drawing Number:	Rev:
Rev	Date	Revision Note.		Drawing File Name: 722-13732-00		722-13732-00		B

DO NOT SCALE DRAWING, IF IN DOUBT, PLEASE ASK.



EXPLODED VIEW

DWN: J.Clarke 01/12/2011

CTLS G4 0360C - 0930C
Customer Drawing

B	21/12/2011	Add Dimensions	Scale: 1:7	Sheet: A3	Sheet 3 of 3	Drawing Number:	Rev:
Rev	Date	Revision Note.	Drawing File Name: 722-13732-00			722-13732-00	B