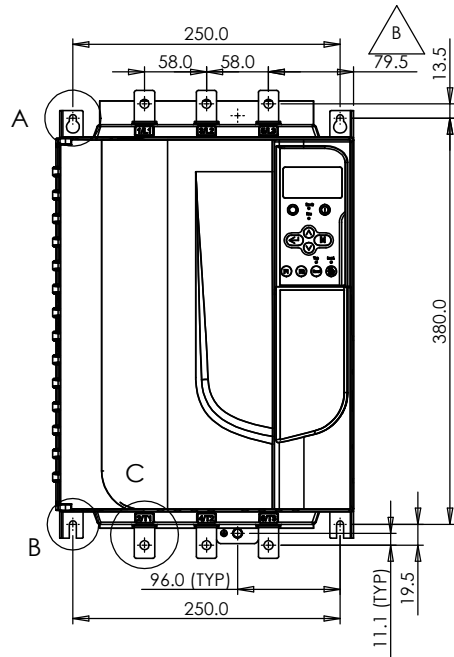
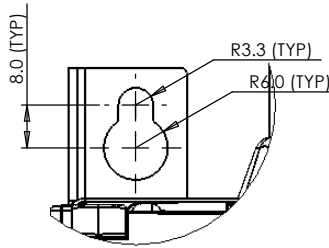


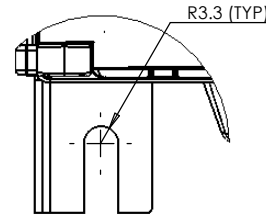
DO NOT SCALE DRAWING, IF IN DOUBT, PLEASE ASK.



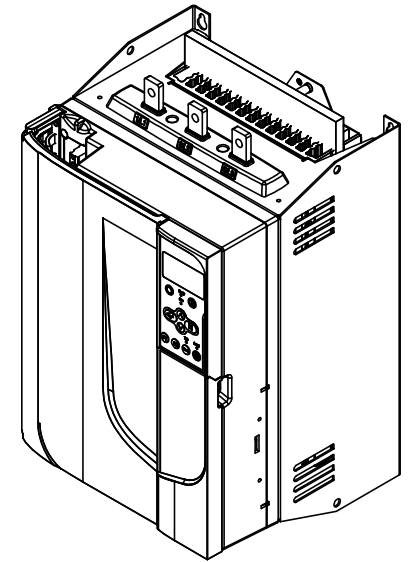
PLAN



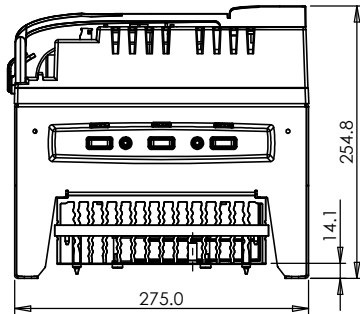
DETAIL A
SCALE 1 : 1



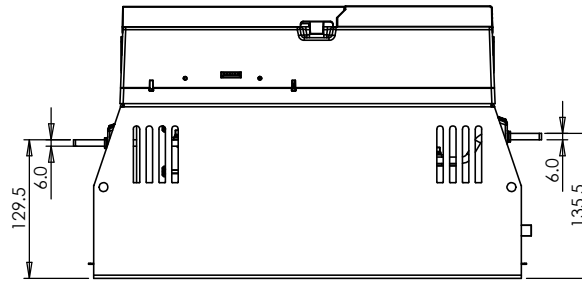
DETAIL B
SCALE 1 : 1



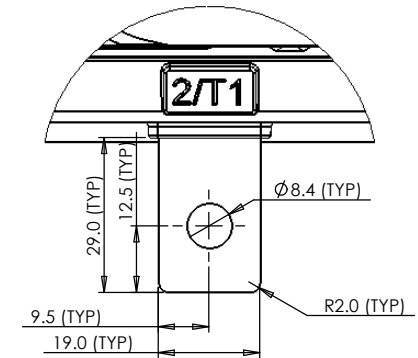
PICTORIAL (FINGER GUARDS REMOVED)



FRONT ELEVATION



RIGHT ELEVATION



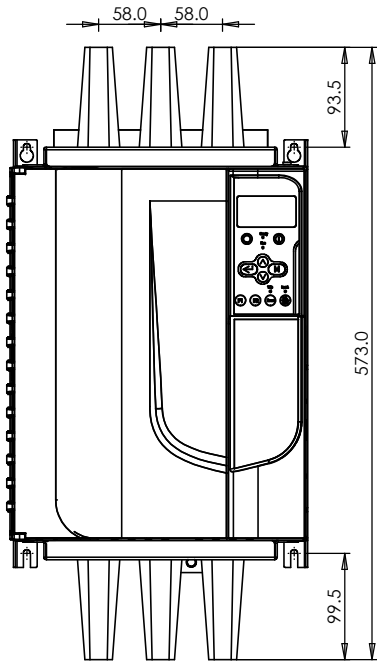
DETAIL C
SCALE 1 : 1

CTLS G2 0145B To 0220B
Customer Drawing

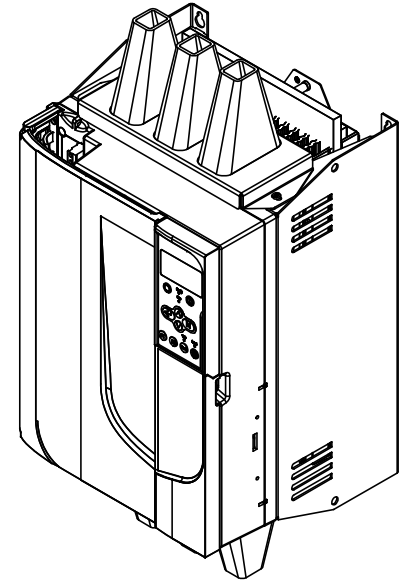
DWN: J.Clarke 23/11/2011

B	21/12/2011	Add Dimensions	Scale: 1:5	Sheet: A3	Sheet 1 of 3	Drawing Number:	Rev:
Rev	Date	Revision Note.	Drawing File Name: 722-13711-00			722-13711-00	B

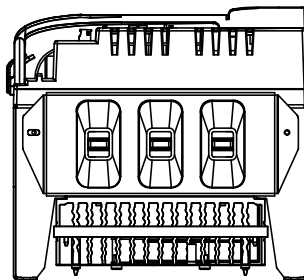
DO NOT SCALE DRAWING, IF IN DOUBT, PLEASE ASK.



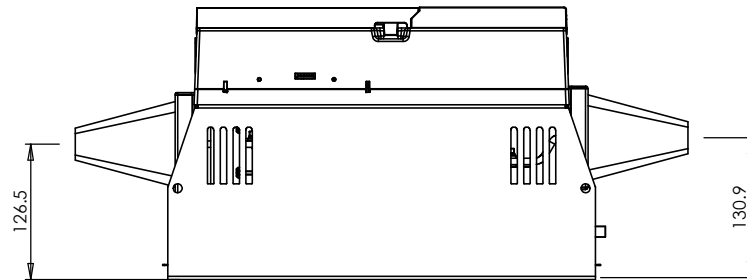
PLAN



PICTORIAL (WITH FINGER GUARDS)



FRONT ELEVATION



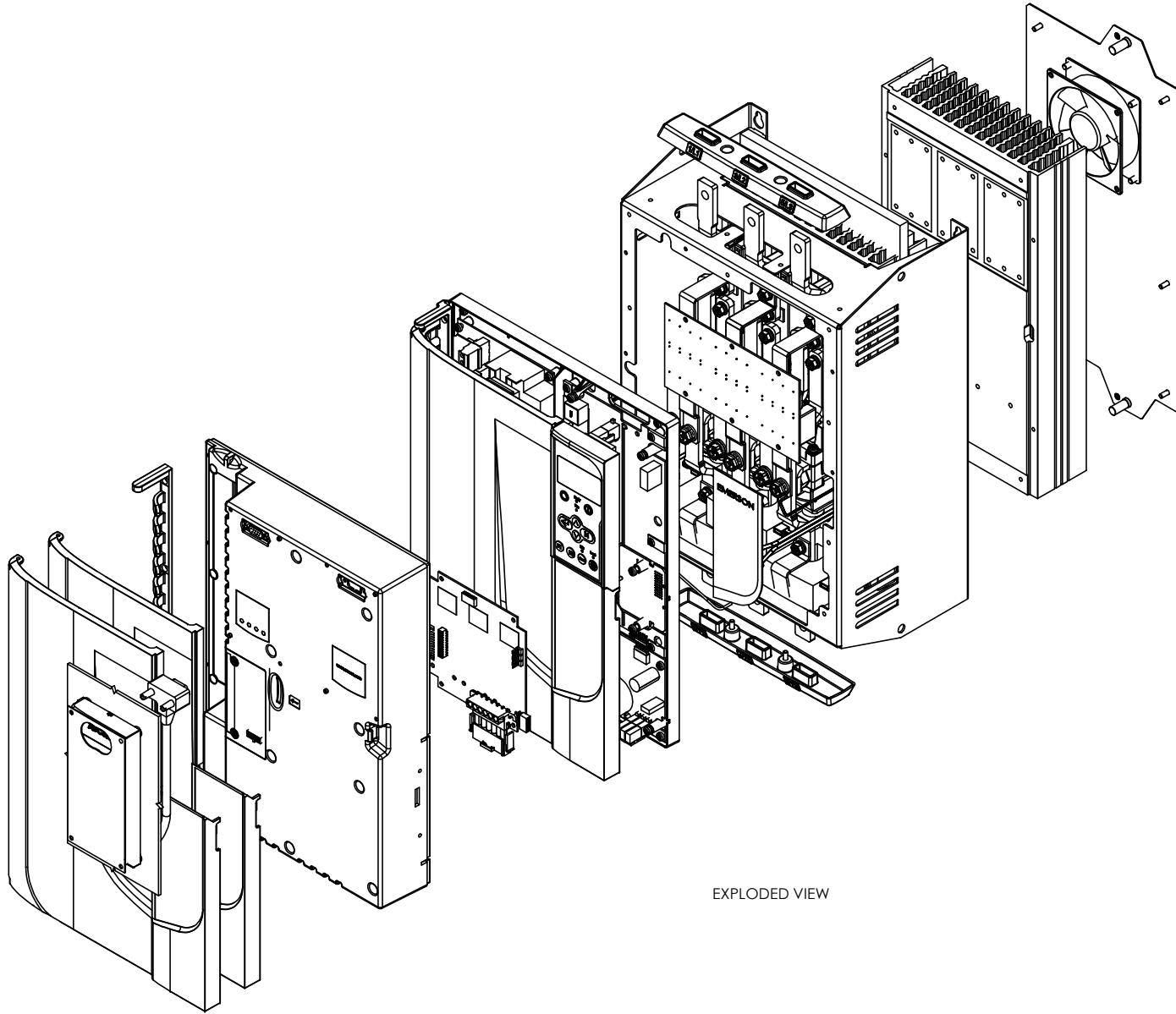
RIGHT ELEVATION

CTLS G2 0145B To 0220B
Customer Drawing

DWN: J.Clarke 23/11/2011

B	21/12/2011	Add Dimensions	Scale: 1:5	Sheet: A3	Sheet 2 of 3	Drawing Number:	Rev:
Rev	Date	Revision Note.	Drawing File Name: 722-13711-00			722-13711-00	B

DO NOT SCALE DRAWING, IF IN DOUBT, PLEASE ASK.



EXPLODED VIEW

CTLS G2 0145B To 0220B
Customer Drawing

DWN: J.Clarke 23/11/2011

B	21/12/2011	Add Dimensions	Scale: 1:4	Sheet: A3	Sheet 3 of 3	Drawing Number:	Rev:
Rev	Date	Revision Note.	Drawing File Name: 722-13711-00			722-13711-00	B