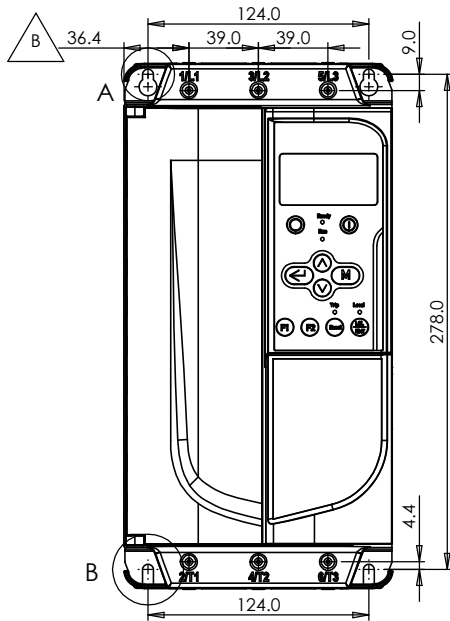
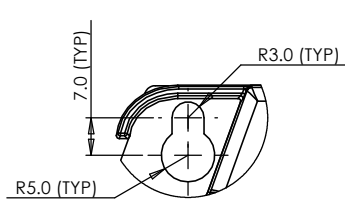


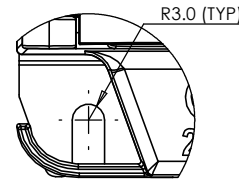
DO NOT SCALE DRAWING, IF IN DOUBT, PLEASE ASK.



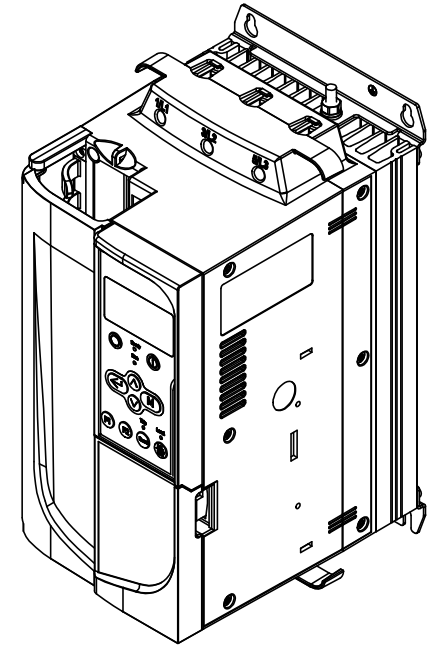
PLAN



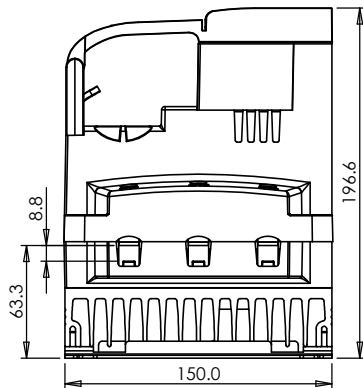
DETAIL A
SCALE 1 : 1



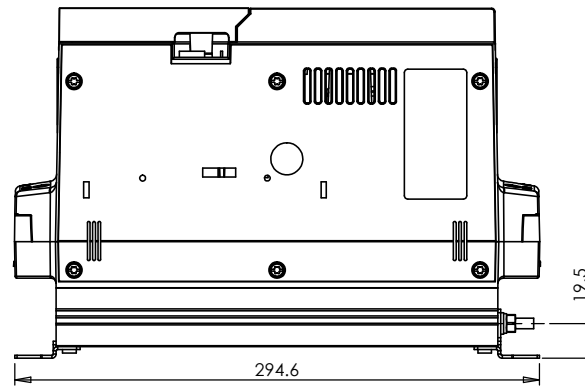
DETAIL B
SCALE 1 : 1



PICTORIAL



FRONT ELEVATION



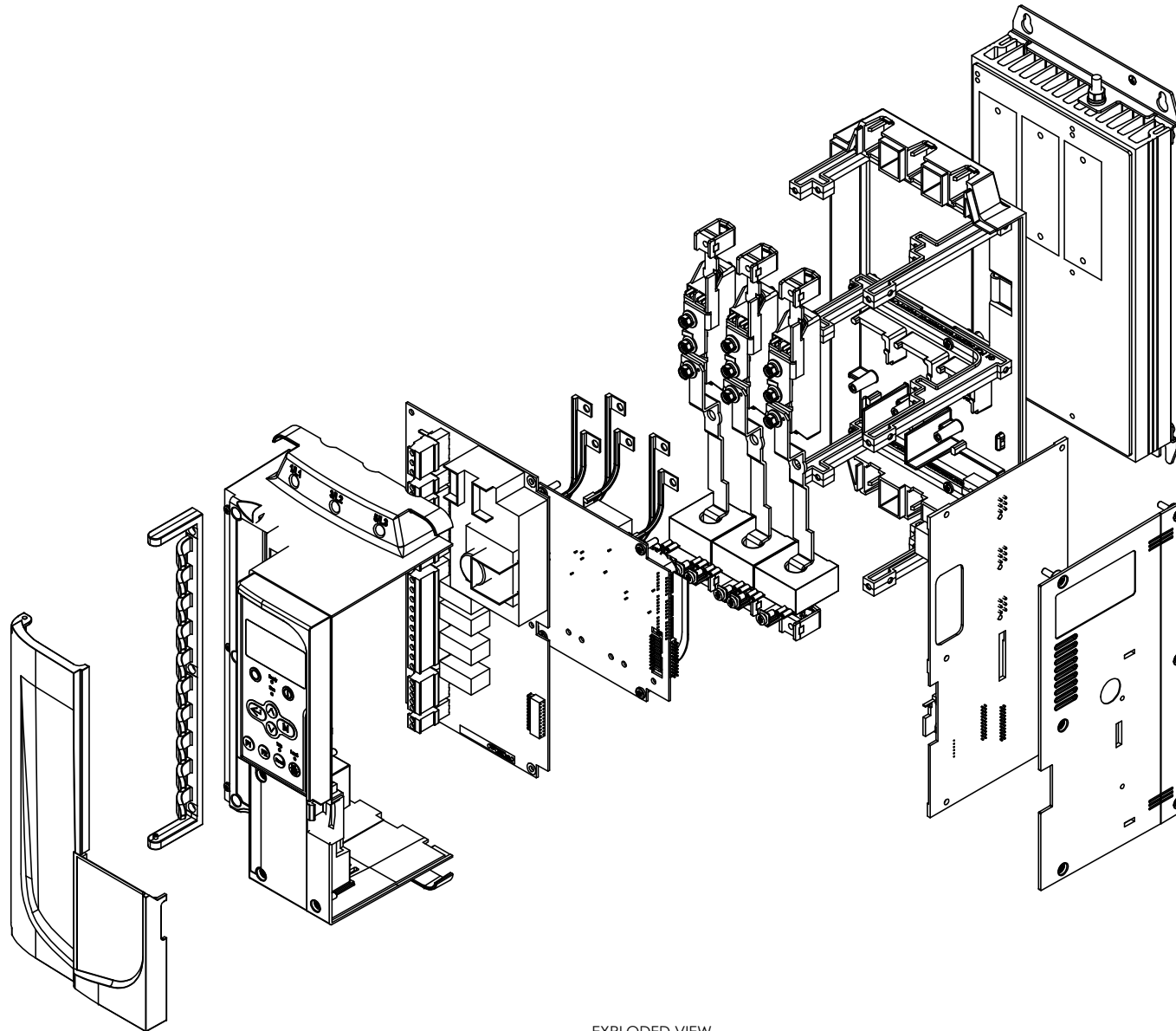
RIGHT ELEVATION

CTLS G1 0023B to 0053B
Customer Drawings

DWN: J.Clarke 22/11/2011

B	21/12/2011	Add Dimensions	Scale: 1:3	Sheet: A3	Sheet 1 of 2	Drawing Number:	Rev:
Rev	Date	Revision Note.	Drawing File Name: 722-13710-00			722-13710-00	B

DO NOT SCALE DRAWING, IF IN DOUBT, PLEASE ASK.



EXPLODED VIEW

CTLS G1 0023B to 0053B
Customer Drawings

DWN: J.Clarke 22/11/2011

B	21/12/2011	Add Dimensions	Scale: 1:3	Sheet: A3	Sheet 2 of 2	Drawing Number:	Rev:
Rev	Date	Revision Note.	Drawing File Name: 722-13710-00			722-13710-00	B