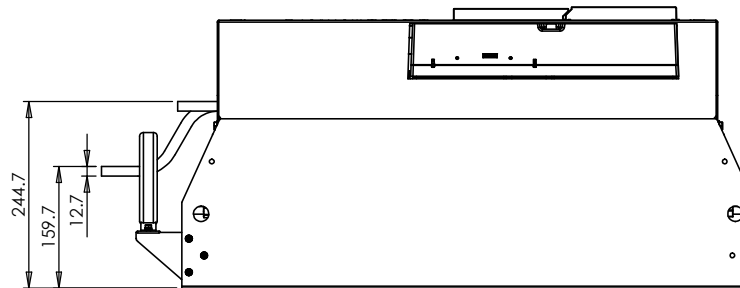
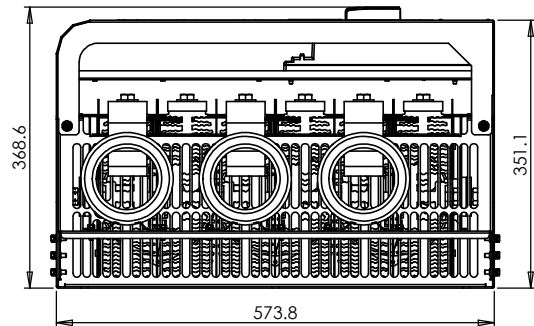
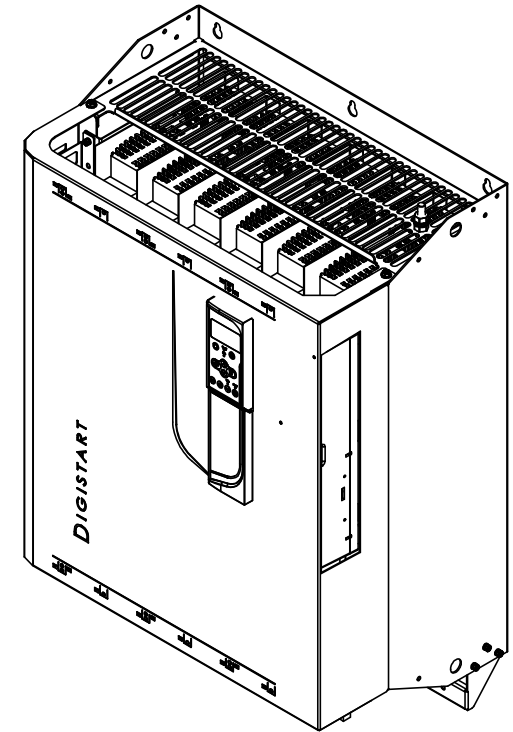
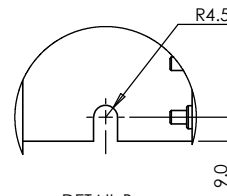
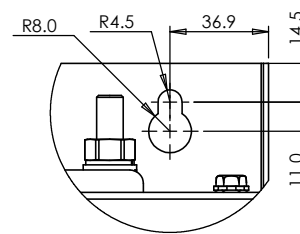
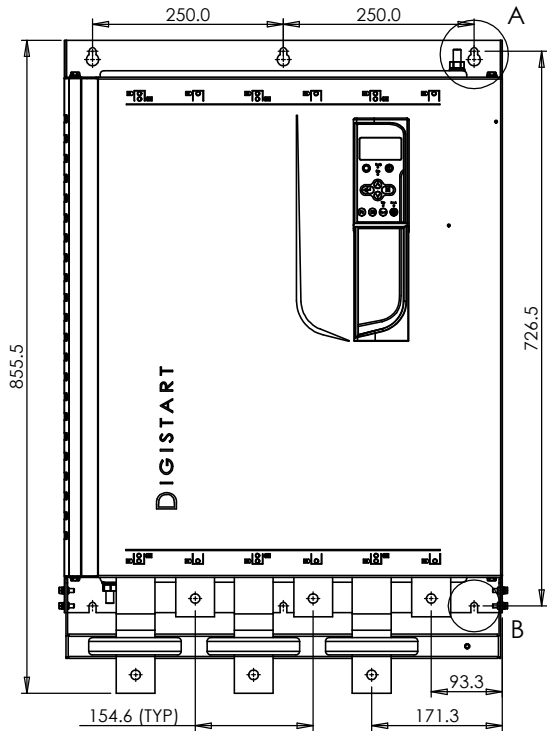


DO NOT SCALE DRAWING, IF IN DOUBT, PLEASE ASK.

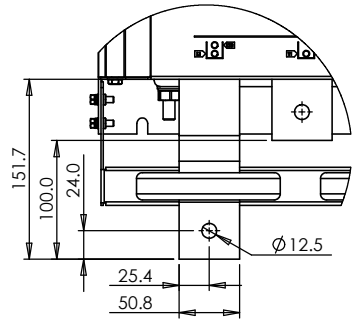


CTLS G5 1200C - 1600C
Customer Drawing

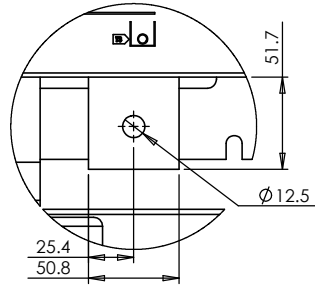
DWN: J.Clarke 06/12/2011

A	06/12/2011	Initial Release	Scale: 1:7	Sheet: A3	Sheet 1 of 3	Drawing Number:	Rev:
Rev	Date	Revision Note.	Drawing File Name: 722-13774-00			722-13774-00	A

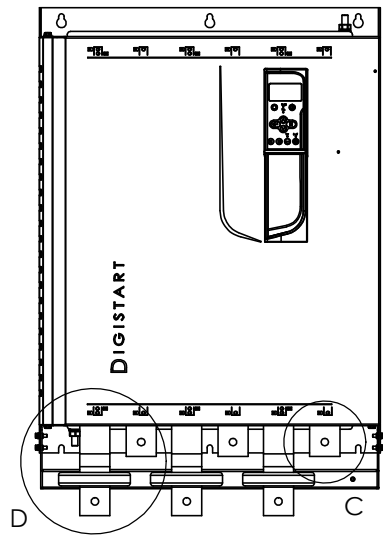
DO NOT SCALE DRAWING, IF IN DOUBT, PLEASE ASK.



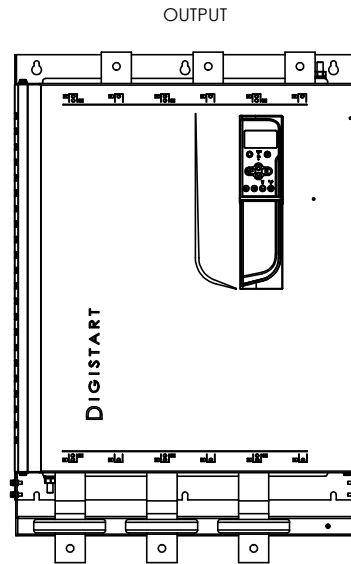
DETAIL D
SCALE 2 : 9



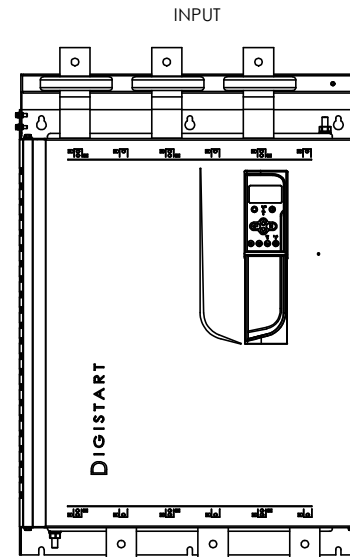
DETAIL C
SCALE 1 : 3



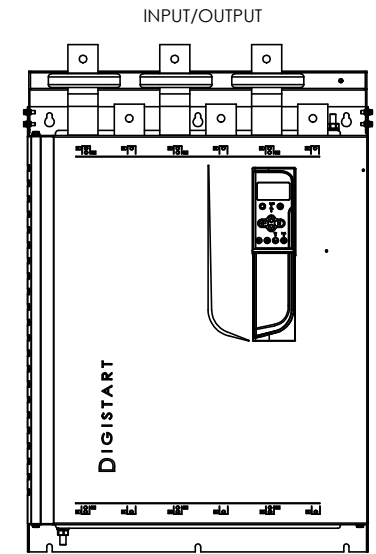
INPUT/OUTPUT



INPUT



OUTPUT

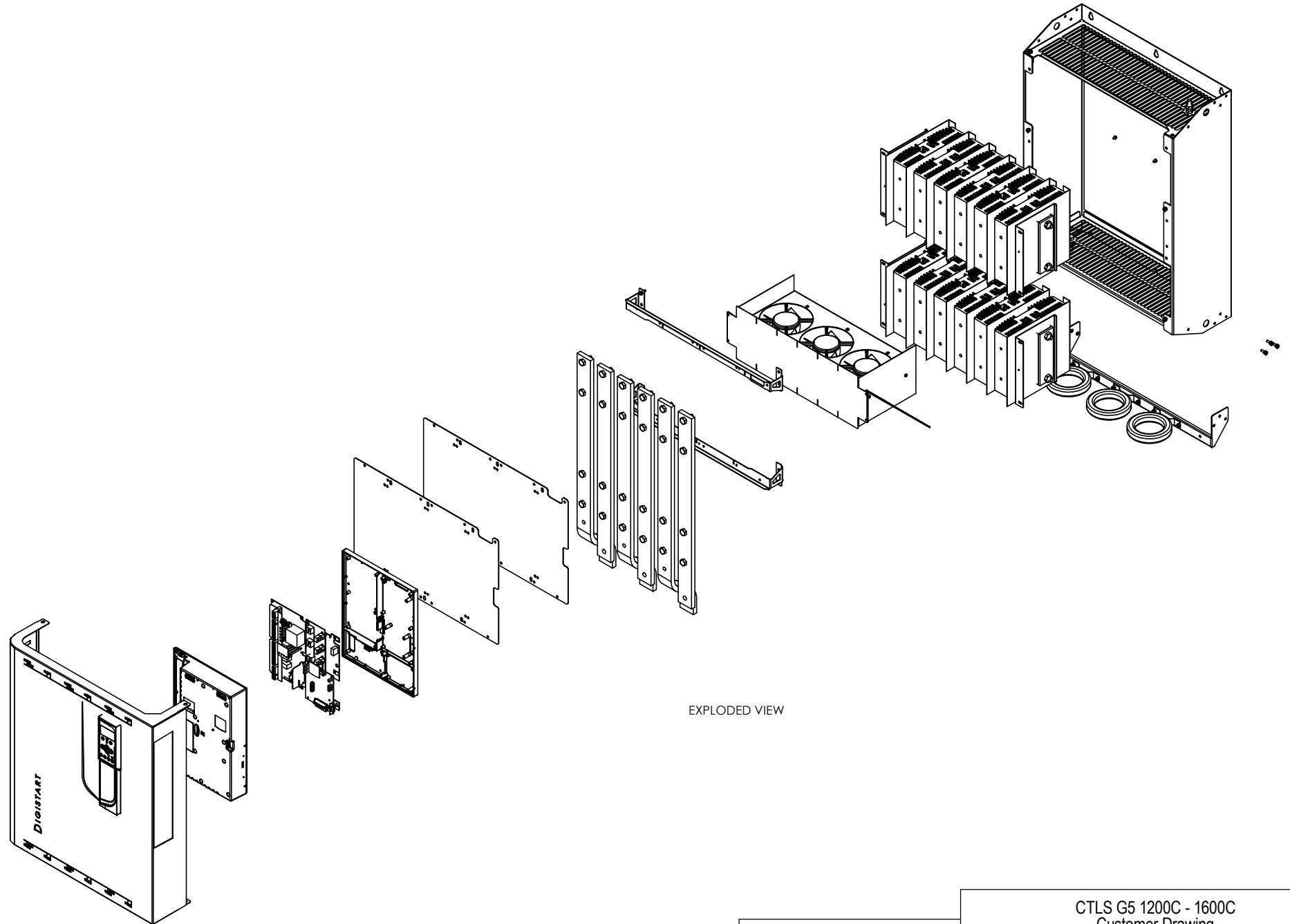


CTLS G5 1200C - 1600C
Customer Drawing

DWN: J.Clarke 06/12/2011

A	06/12/2011	Initial Release	Scale: 1:9	Sheet: A3	Sheet 2 of 3	Drawing Number:	Rev:
Rev	Date	Revision Note.	Drawing File Name: 722-13774-00			722-13774-00	A

DO NOT SCALE DRAWING, IF IN DOUBT, PLEASE ASK.



EXPLODED VIEW

DWN: J.Clarke 06/12/2011

CTLS G5 1200C - 1600C
Customer Drawing

A	06/12/2011	Initial Release	Scale: 1:10	Sheet: A3	Sheet 3 of 3	Drawing Number:	Rev:
Rev	Date	Revision Note.	Drawing File Name: 722-13774-00			722-13774-00	A