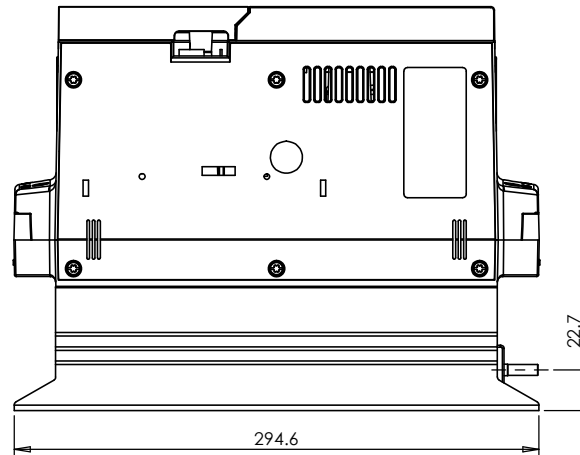
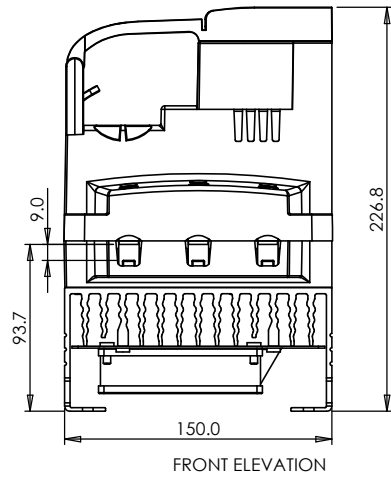
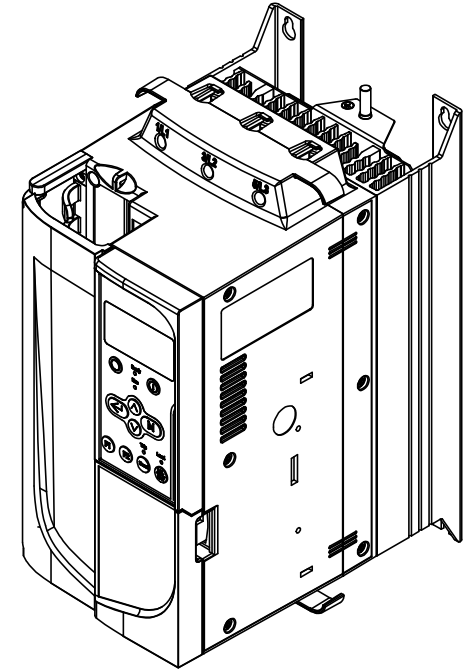
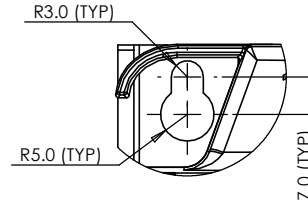
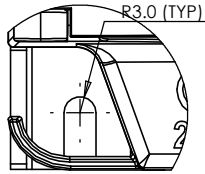
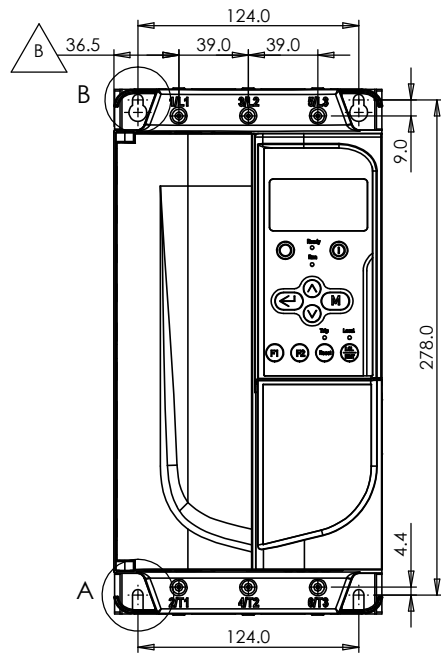


DO NOT SCALE DRAWING, IF IN DOUBT, PLEASE ASK.

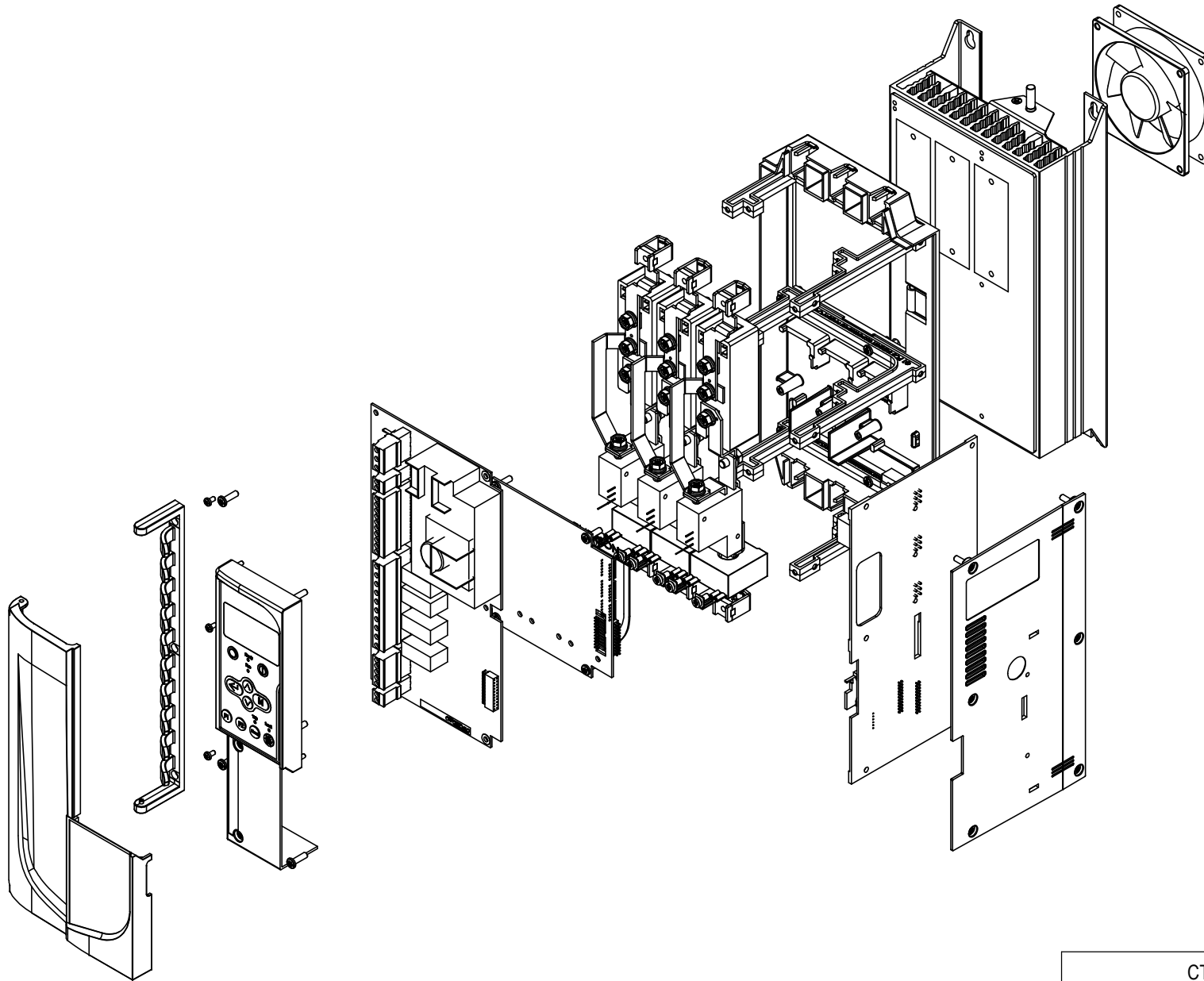


CTLS G1 0076B To 0105B  
Customer Drawings

DWN: J.Clarke 21/11/2011

B	21/12/2011	Add Dimensions	Scale: 1:3	Sheet: A3	Sheet 1 of 2	Drawing Number:	Rev:
Rev	Date	Revision Note.	Drawing File Name: 722-13709-00			722-13709-00	<b>B</b>

DO NOT SCALE DRAWING, IF IN DOUBT, PLEASE ASK.



CTLS G1 0076B To 0105B  
Customer Drawings

DWN: J.Clarke 21/11/2011

B	21/12/2011	Add Dimensions	Scale: 1:3	Sheet: A3	Sheet 2 of 2	Drawing Number:	Rev:
Rev	Date	Revision Note.	Drawing File Name: 722-13709-00			722-13709-00	<b>B</b>